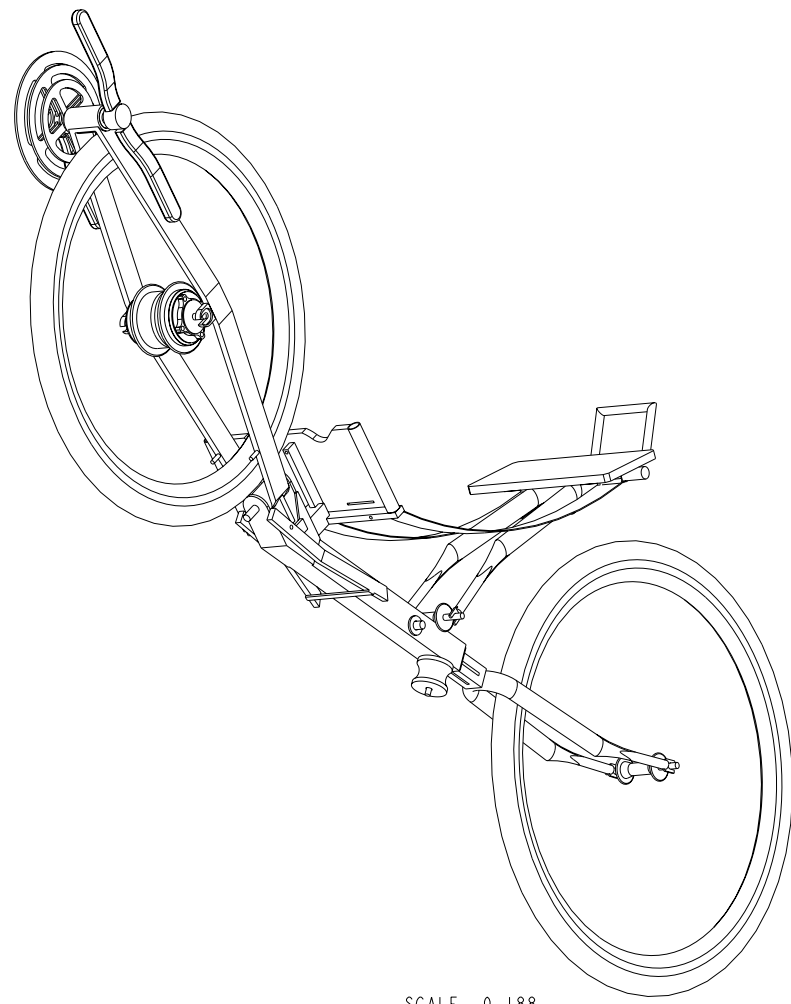


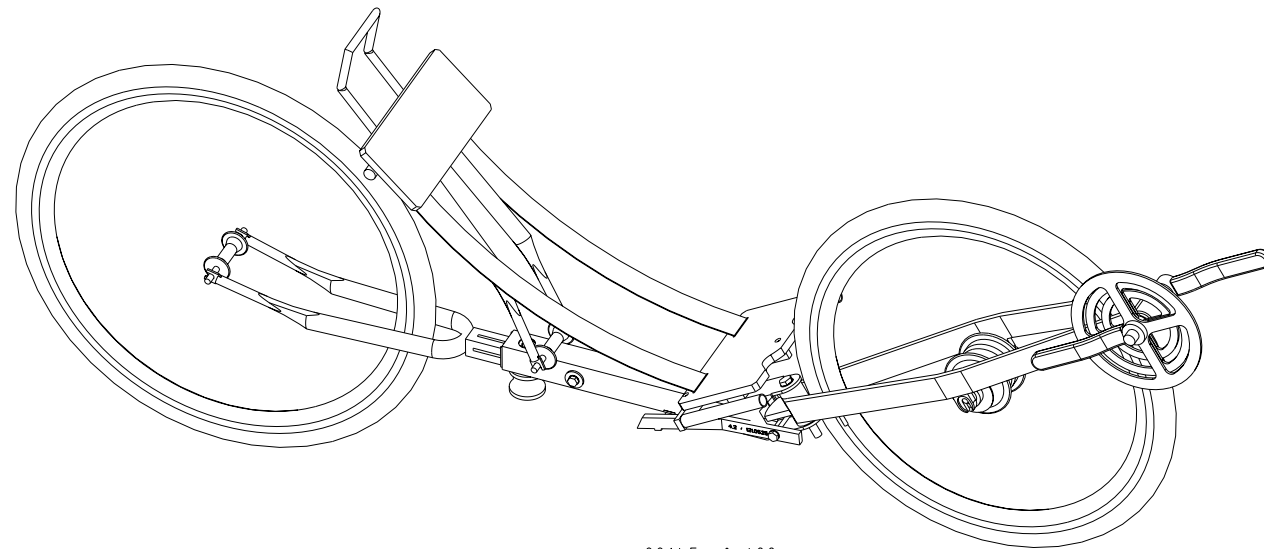
STUDY PLANS FOR A PYTHON LOWRACER RECUMBENT

DRAWINGS BY DARYL BENDER
BASED ON THE DESIGN AND CONSTRUCTION NOTES
OF
JURGEN MAGES (<http://www.python-lowracer.de/index.html>)
A MAN OF INSPIRED VISION :-)

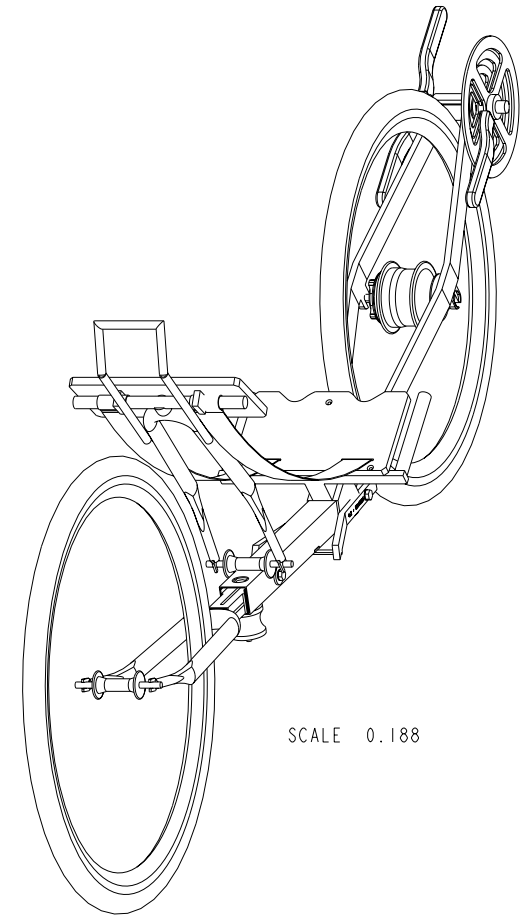
NOTE: INCH DIMENSIONS, BEING AUTOMATICALLY
GENERATED FROM THE 3D MODEL SHALL PREVAIL
IN CASE OF CONFLICT WITH METRIC DIMENSIONS
OR ANY DIMENSIONS IN BRACKETS.



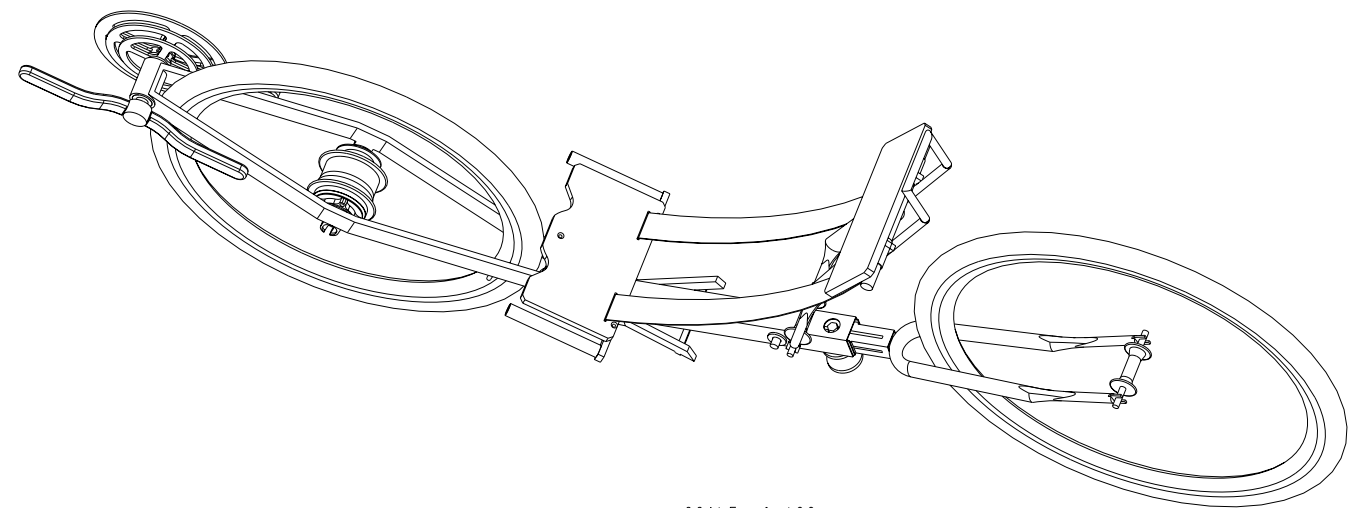
SCALE 0.188



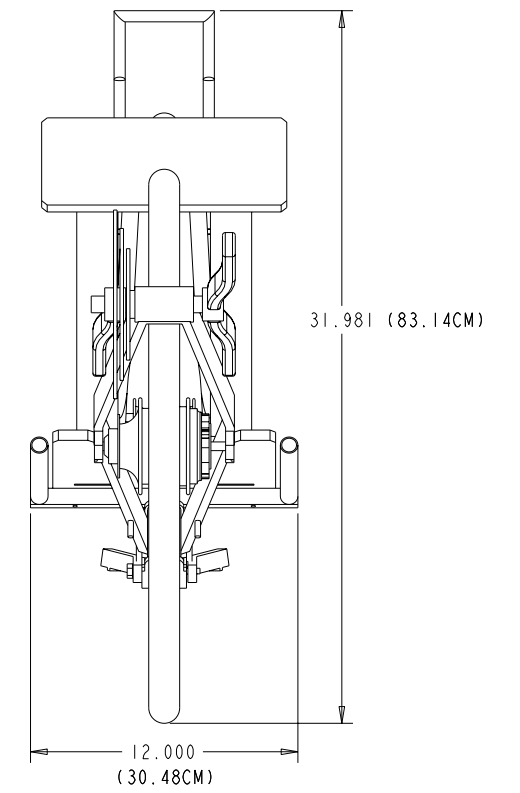
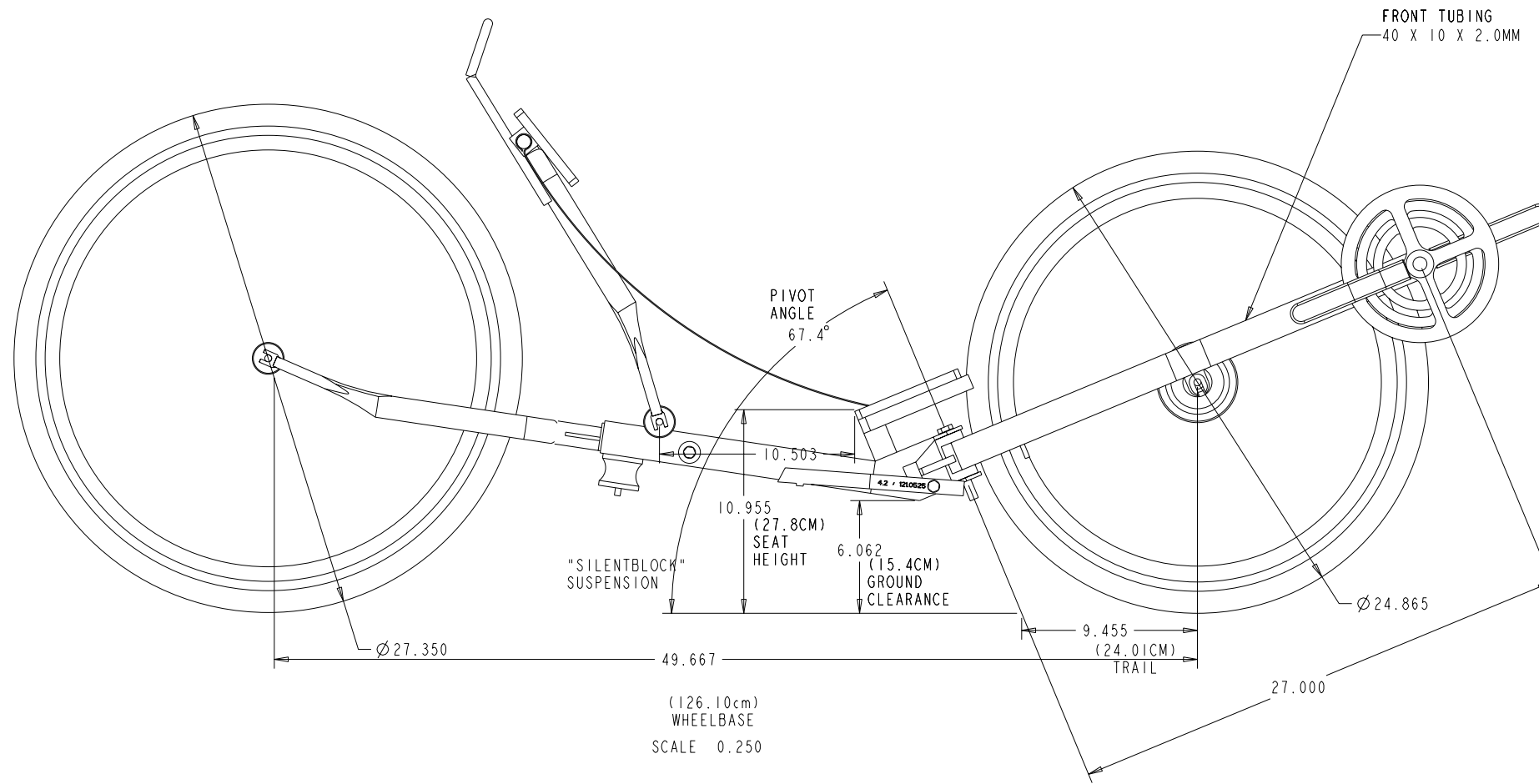
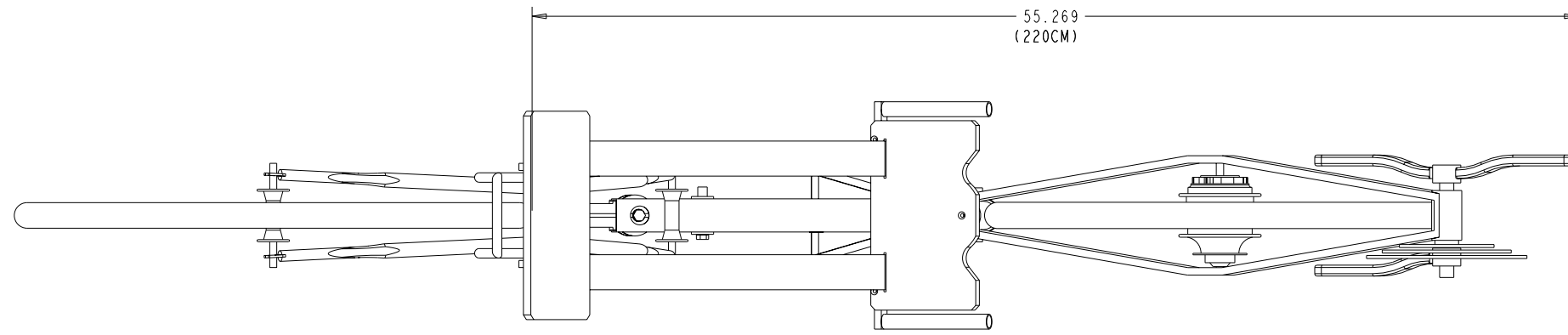
SCALE 0.188

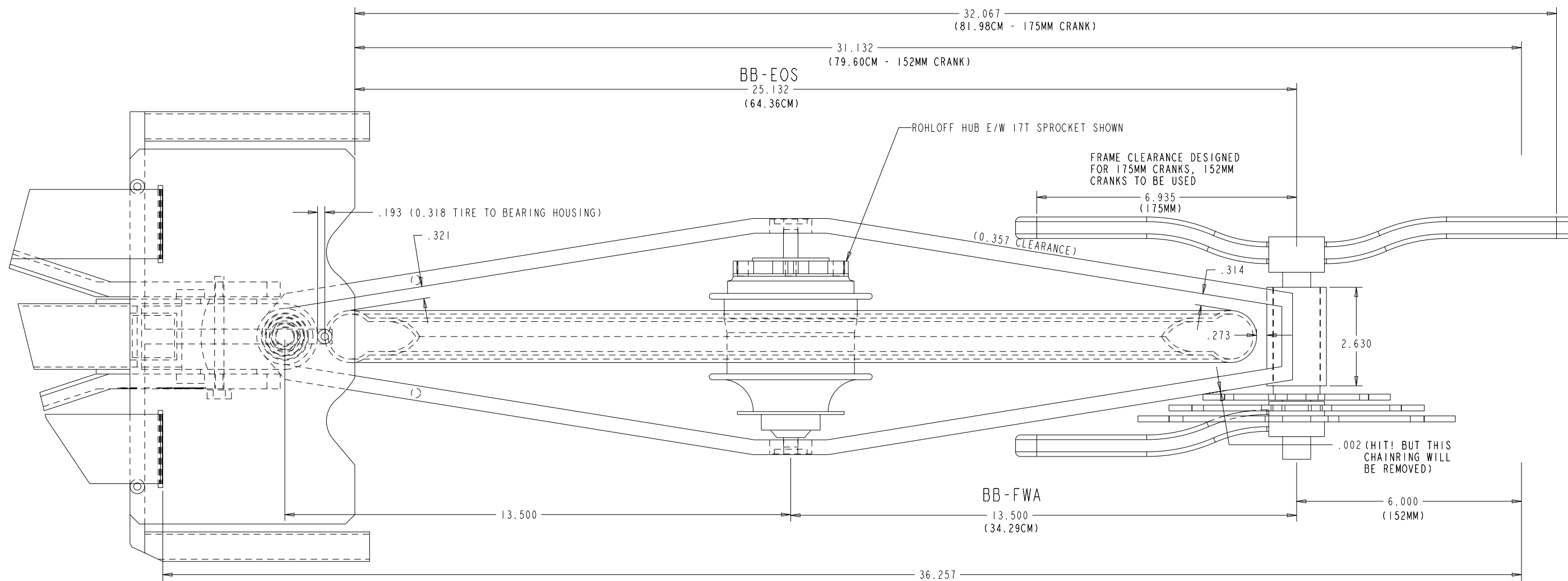


SCALE 0.188



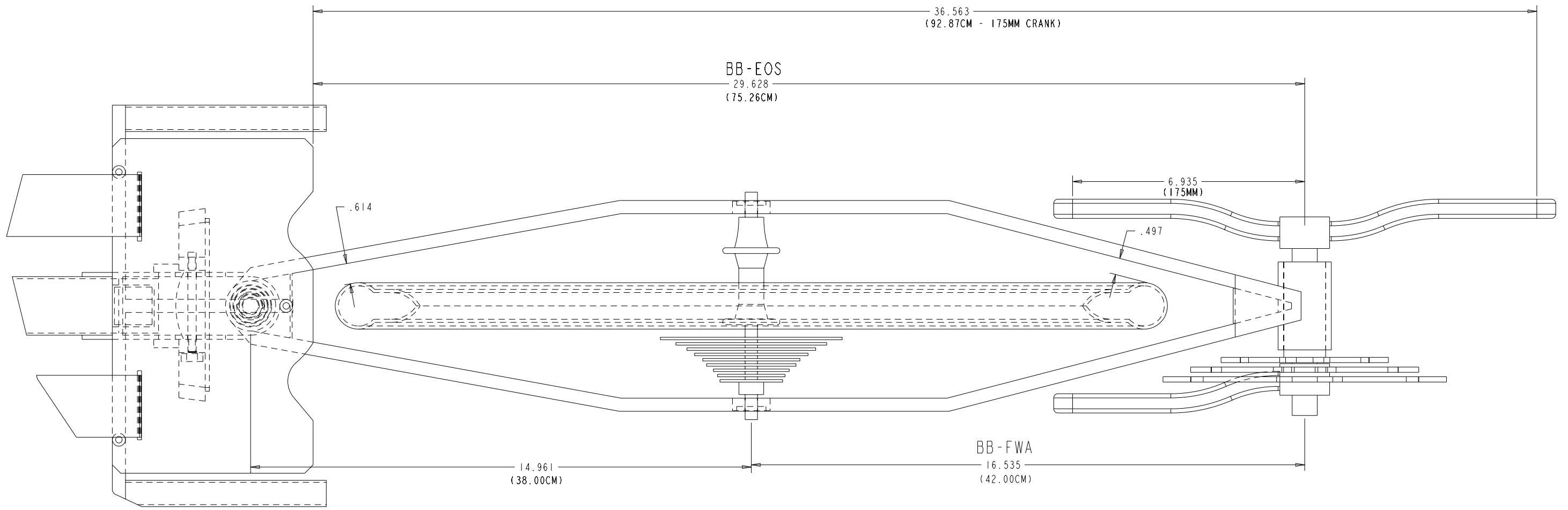
SCALE 0.188





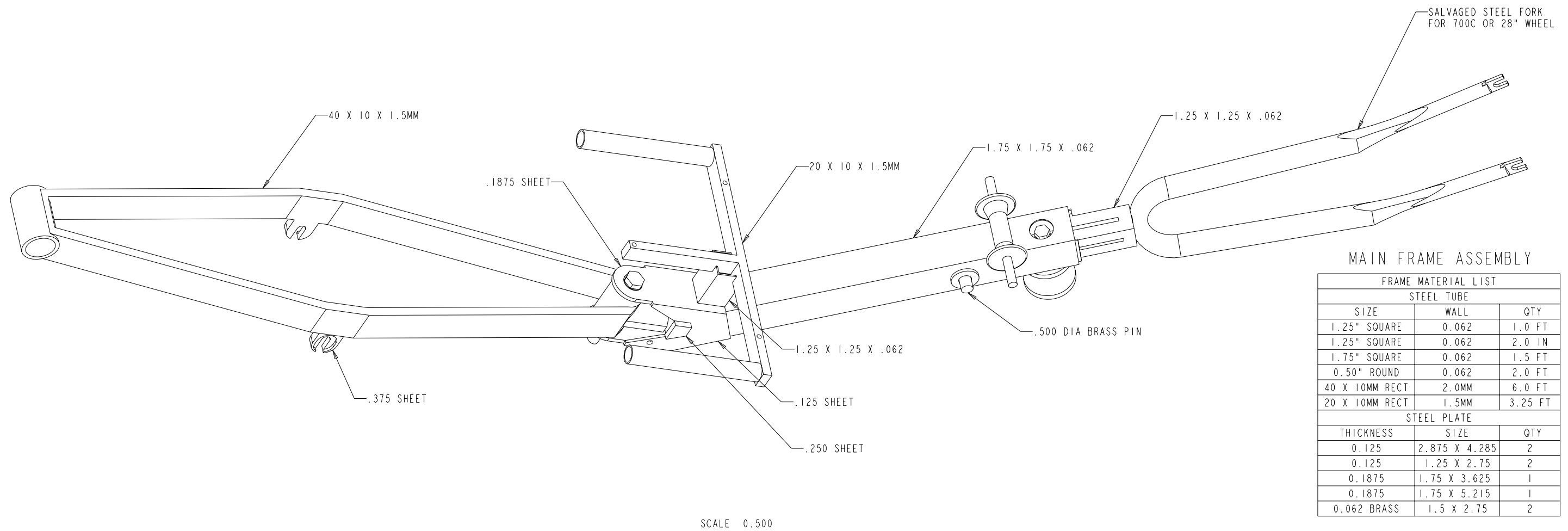
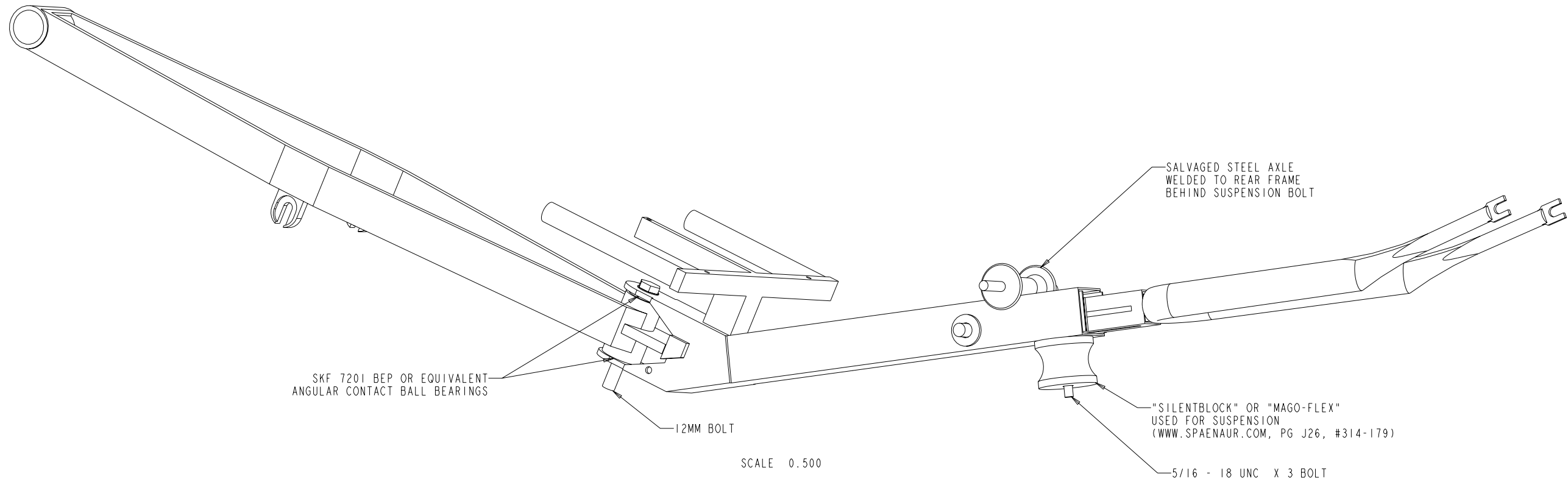
SCALE 0.750

DETAIL OF FRONT FRAME IN NORMAL DIRECTION
SHOWING BASIC CLEARANCES AND PEDAL POSITION WRT SEAT AND PIVOT



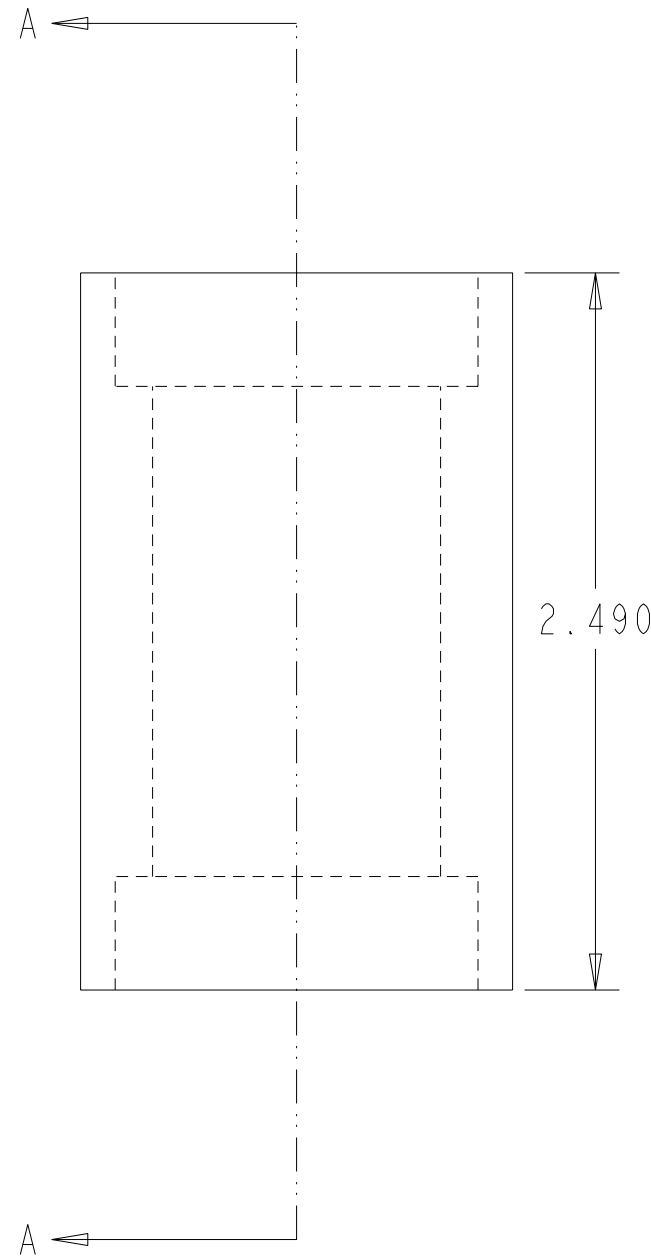
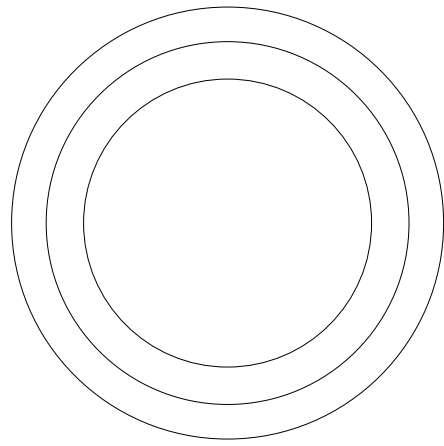
DETAIL OF STANDARD FRONT FRAME IN NORMAL DIRECTION
 SHOWING BASIC CLEARANCES AND PEDAL POSITION WRT SEAT AND PIVOT

SCALE 0.700



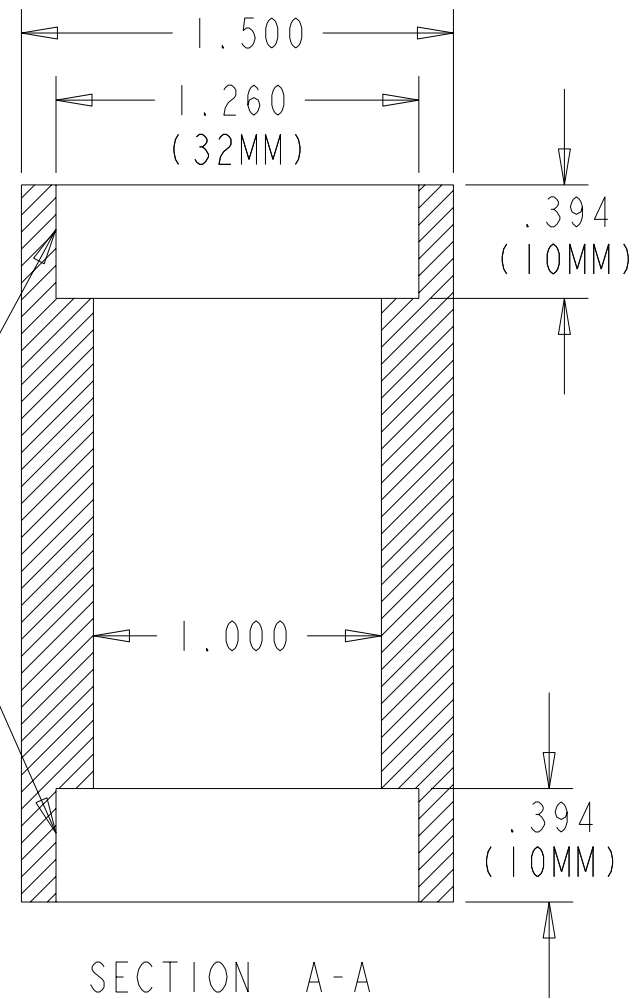
MAIN FRAME ASSEMBLY

FRAME MATERIAL LIST		
STEEL TUBE		
SIZE	WALL	QTY
1.25" SQUARE	0.062	1.0 FT
1.25" SQUARE	0.062	2.0 IN
1.75" SQUARE	0.062	1.5 FT
0.50" ROUND	0.062	2.0 FT
40 X 10MM RECT	2.0MM	6.0 FT
20 X 10MM RECT	1.5MM	3.25 FT
STEEL PLATE		
THICKNESS	SIZE	QTY
0.125	2.875 X 4.285	2
0.125	1.25 X 2.75	2
0.1875	1.75 X 3.625	1
0.1875	1.75 X 5.215	1
0.062 BRASS	1.5 X 2.75	2

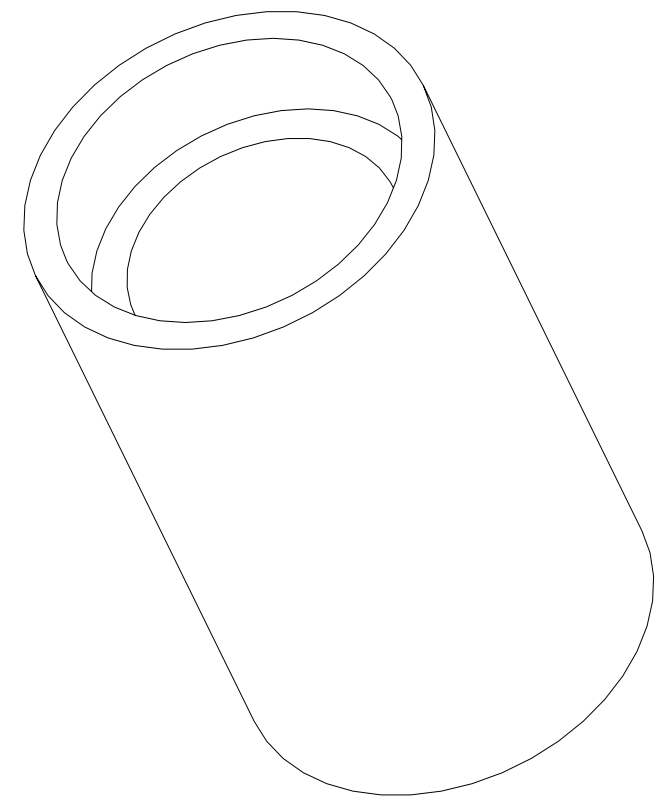


SCALE 1.500

FOR CLASS "H8" FIT
THE 32MM BORE
DIMENSION SHALL BE
32MM -0UM, +39UM. THE
12MM SHAFT SHALL BE
12MM -3UM, +8UM.



SECTION A-A

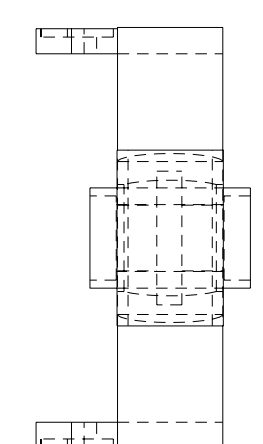
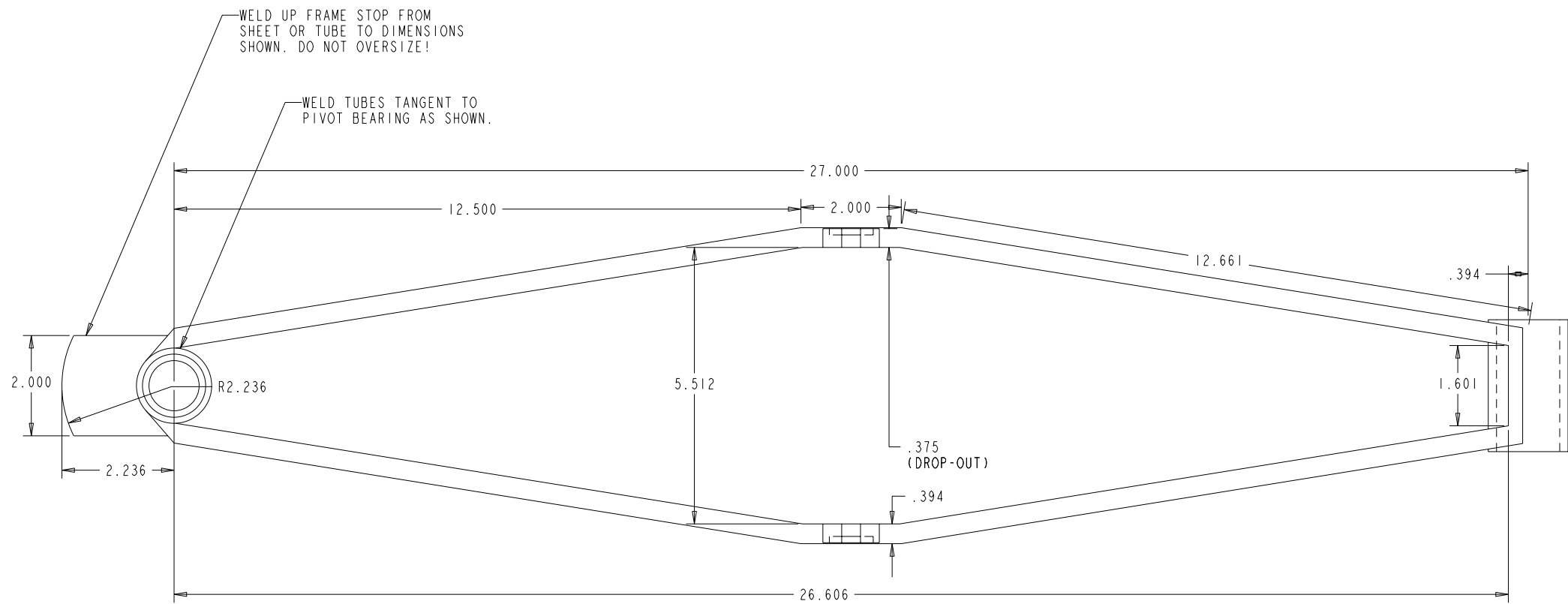
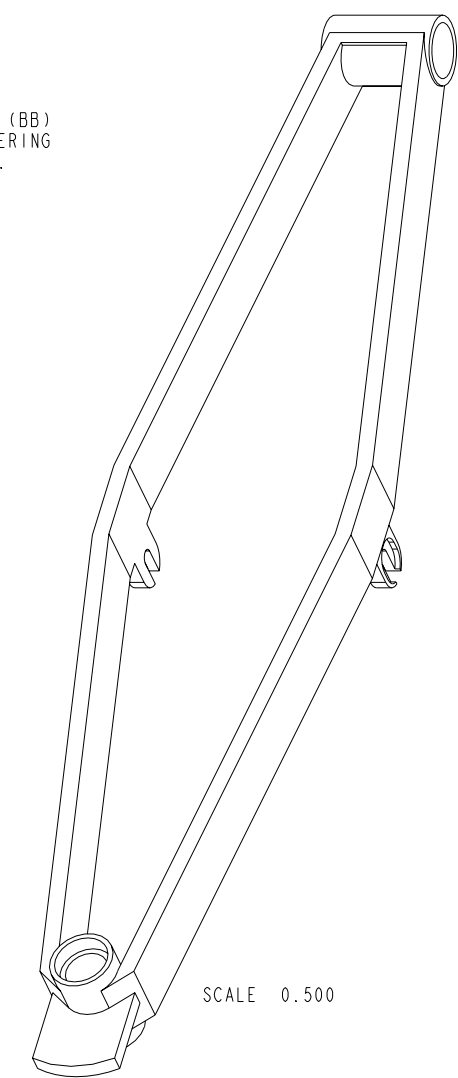
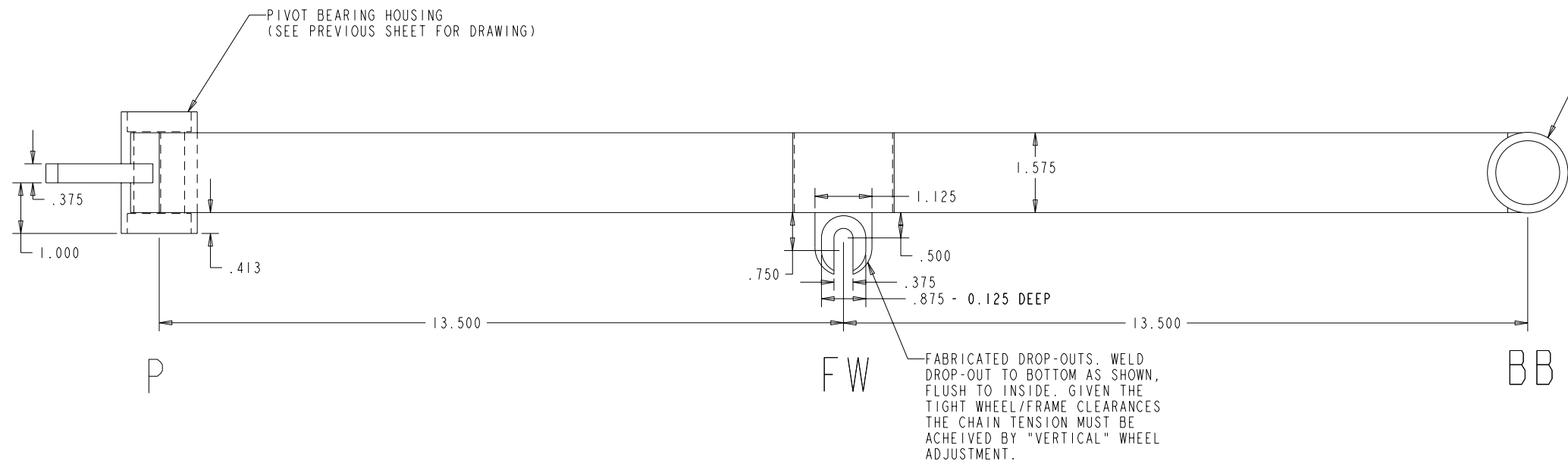


SCALE 1.500

PIVOT BEARING HOUSING

MATERIAL: STEEL

FROM THE MODIFICATION PAGE.
FOR USE WITH SKF7201-BEP
BEARING PER THE DESIGN OF
EDUARDO LP JR FROM BAURU
BRAZIL.

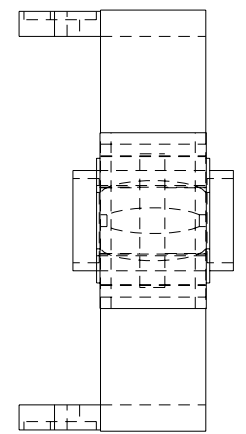
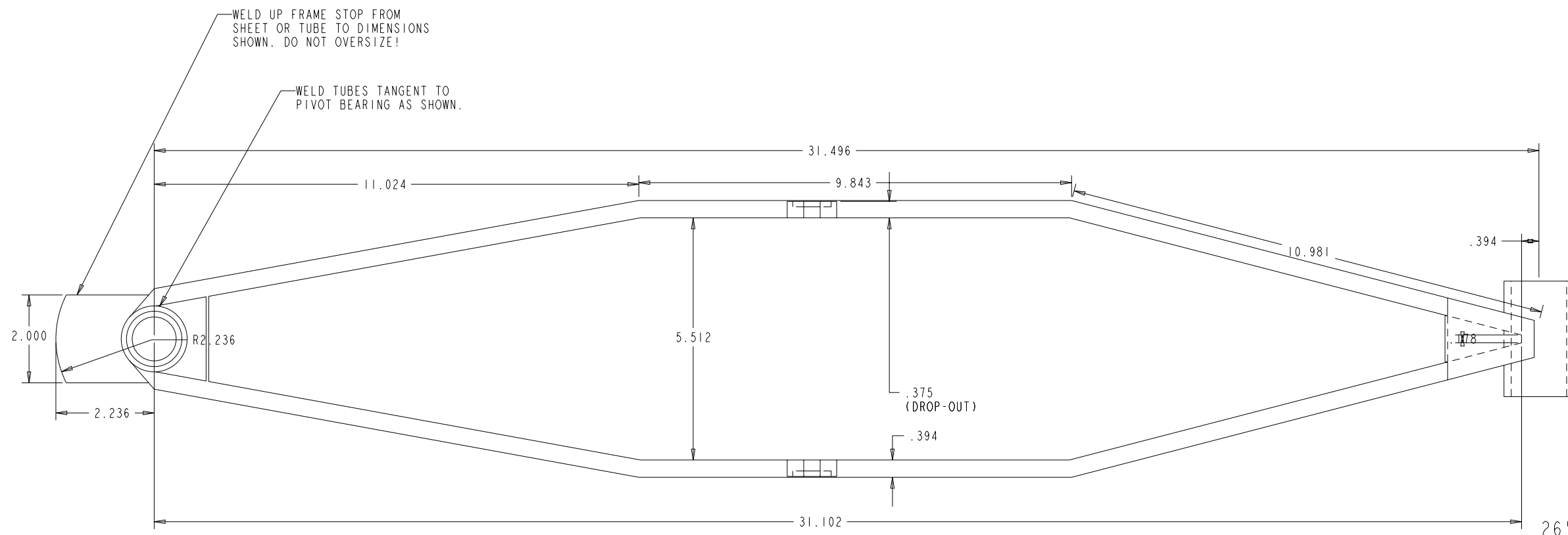
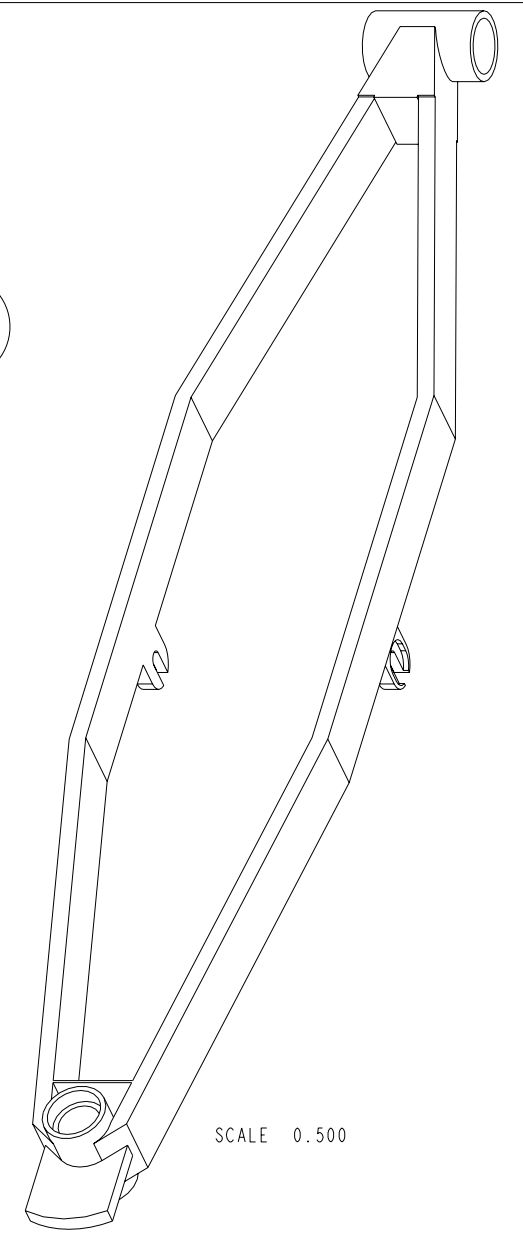
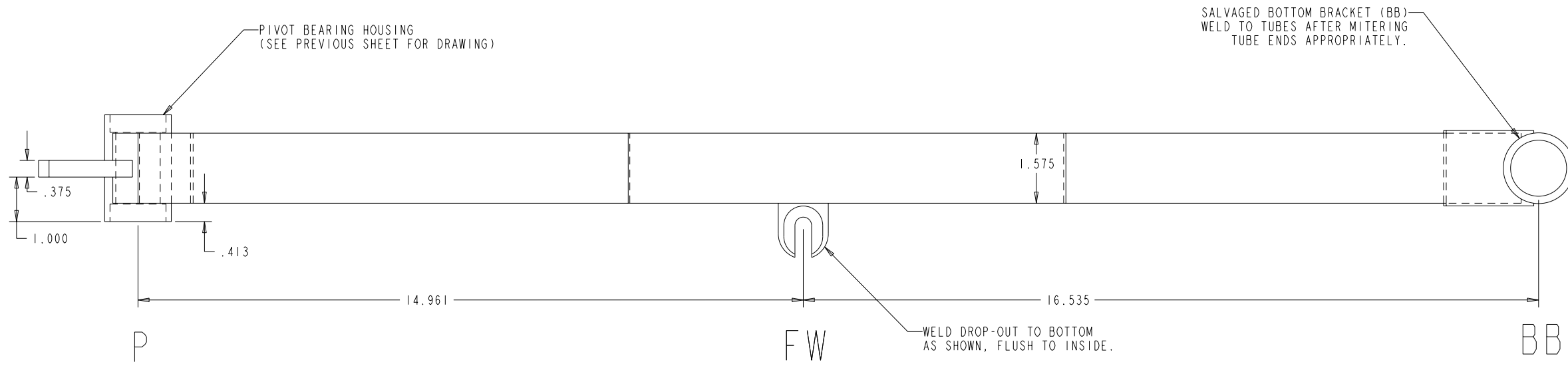


26" FRONT WHEEL FRAME (EXTRA SHORT)

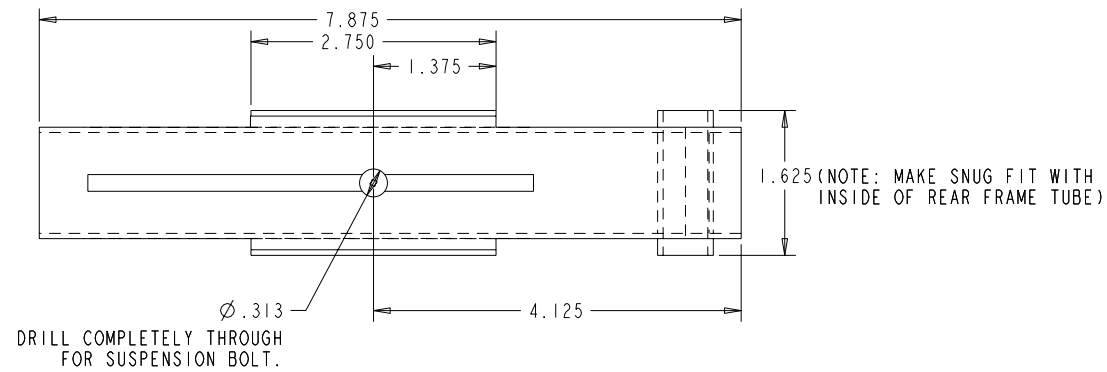
MATERIAL: 40MM X 10MM X 1.5MM RECTANGULAR STEEL TUBE

NOTE: DO NOT SUBSTITUTE MATERIAL WITHOUT CHECKING FRONT SPROCKET & TIRE CLEARANCE!

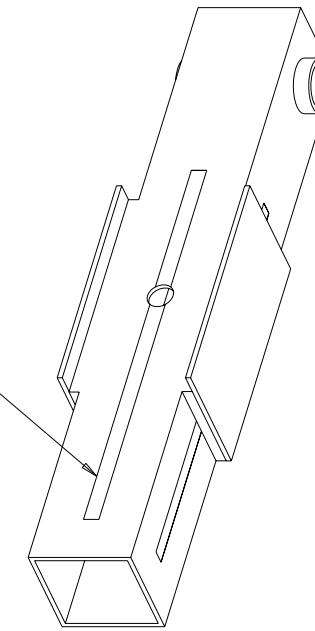
NOTE: THE SHORTNESS OF THIS DESIGN LIKELY REQUIRES THE USE OF A MULTI-SPEED HUB DUE TO LIKELY DERAILER CHAIN-LINE ISSUES.



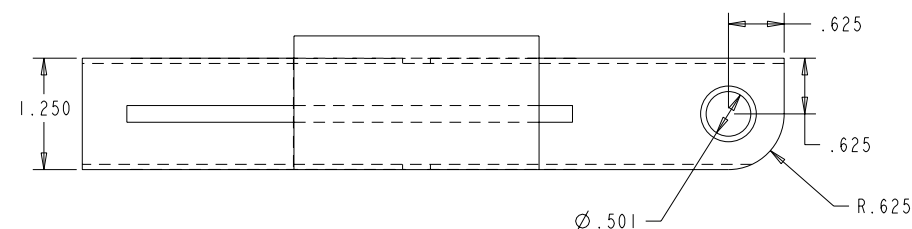
SCALE 0.750



CUT SLOTS APPROXIMATELY AS SHOWN INTO TUBE ON ALL FOUR SIDES THEN INSERT REAR WHEEL FORK (NOT SHOWN) AND USING SLOTS, WELD INTO PLACE. THIS STEP TO BE PERFORMED BEFORE SUSPENSION HOLE IS DRILLED AND BEFORE STEEL SIDE SPACING PLATES ARE WELDED ON.



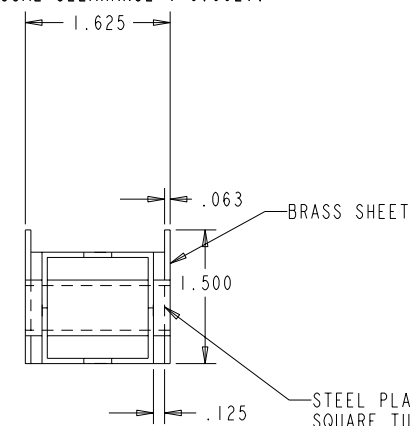
SCALE 1.000



FHS FOR PIVOT PIN. DRILL 5/8" AND WELD 0.501 ID TUBE FOR PIVOT BEARING. DRILL 1D UNDERSIZE (31/64), WELD IN PLACE AND DO FINAL 0.501 REAM ON ASSEMBLED PARTS. NOTE: A CLOSE FITTING HOLE/PIN WILL RESULT IS LESS SUSPENSION PLAY AND LESS INITIATION OF INSTABILITY AT SPEED.

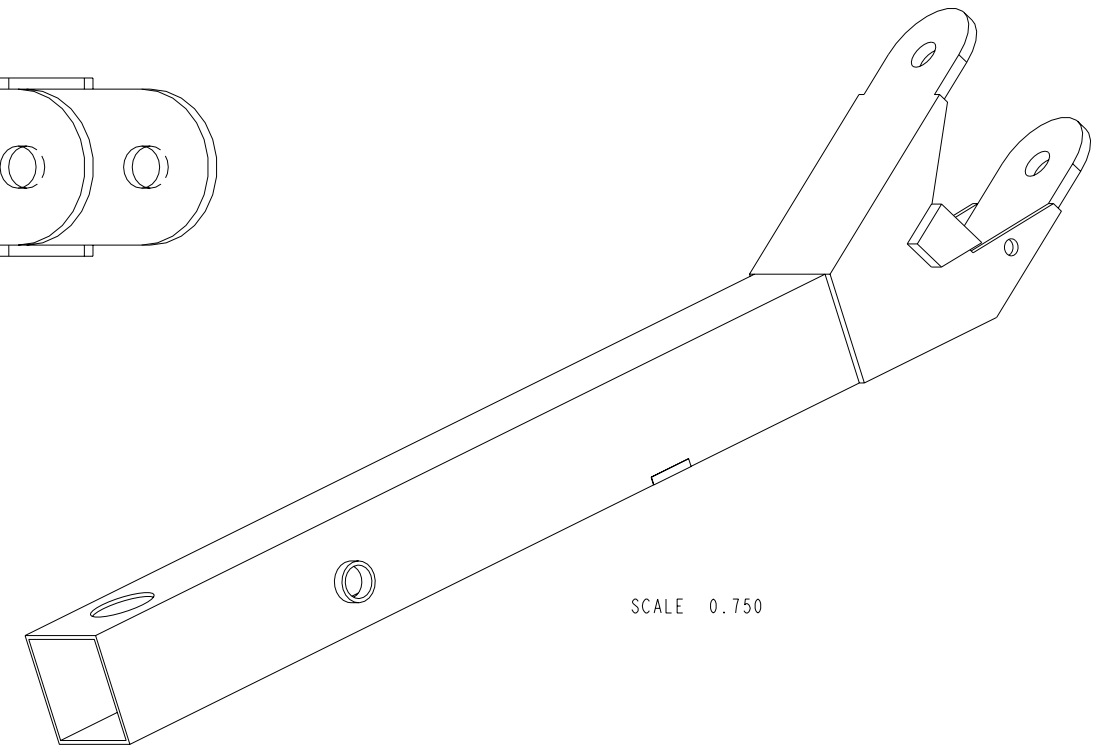
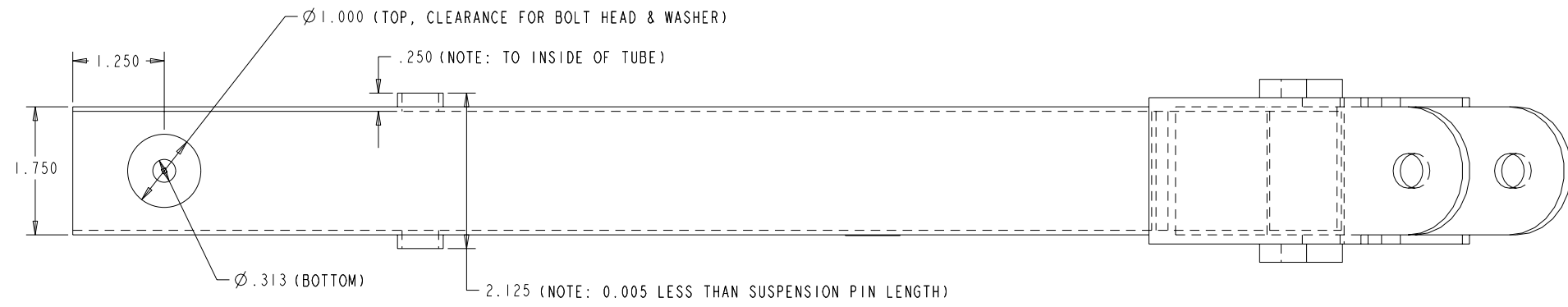
SCALE 1.000

THIS DIMENSION SHOULD MATCH THE INSIDE DIMENSION OF THE REAR FRAME TUBE (WITH SOME CLEARANCE (~0.002)).

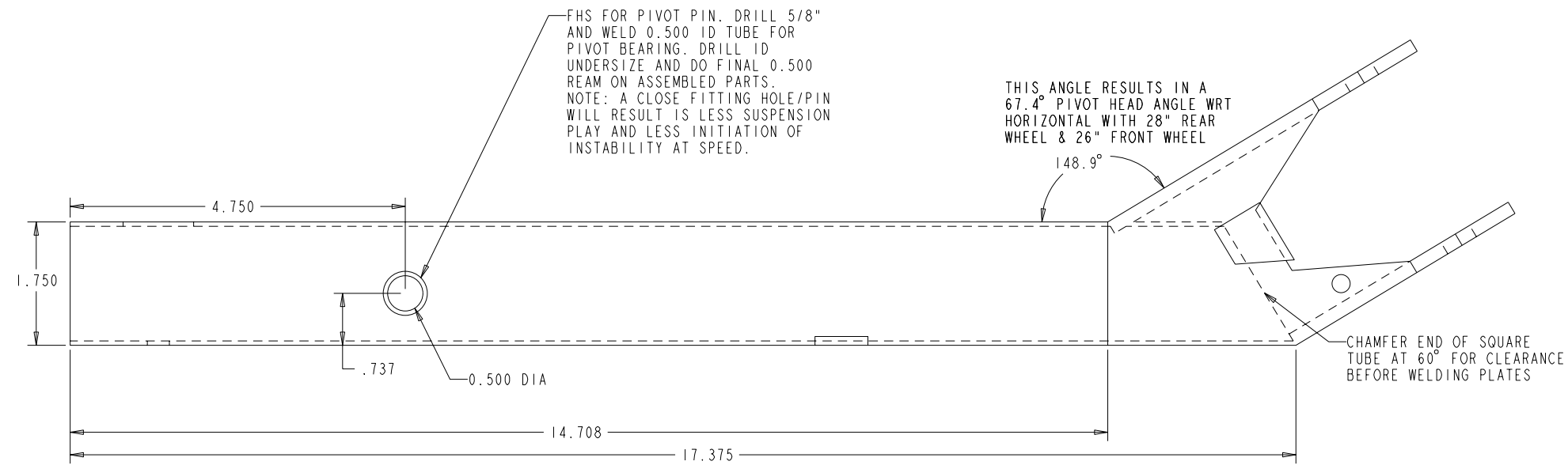


REAR FORK EXTENSION

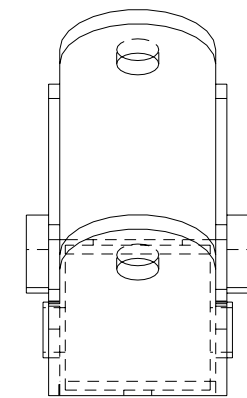
MATERIAL: 1 1/4" SQUARE STEEL TUBE 0.062 WALL.
0.0625" BRASS SHEET, 1 1/2" WIDE
0.500" ID ROUND STEEL TUBE 0.062 WALL
0.125" STEEL PLATE, 1 1/4" WIDE



SCALE 0.750



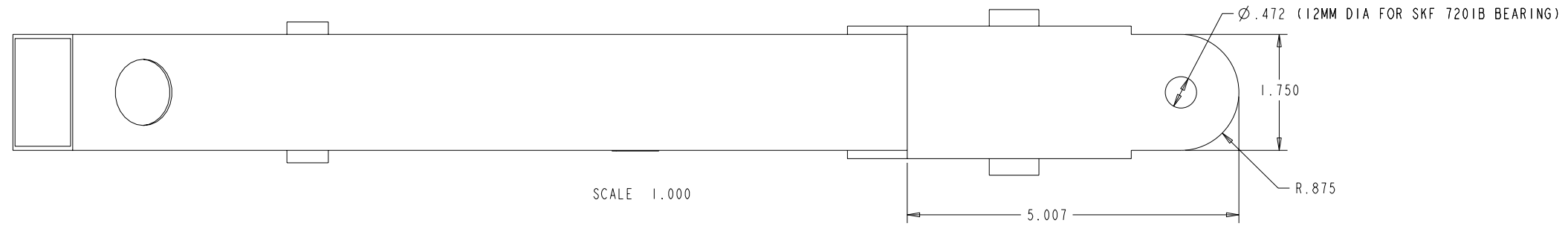
SCALE 1.000



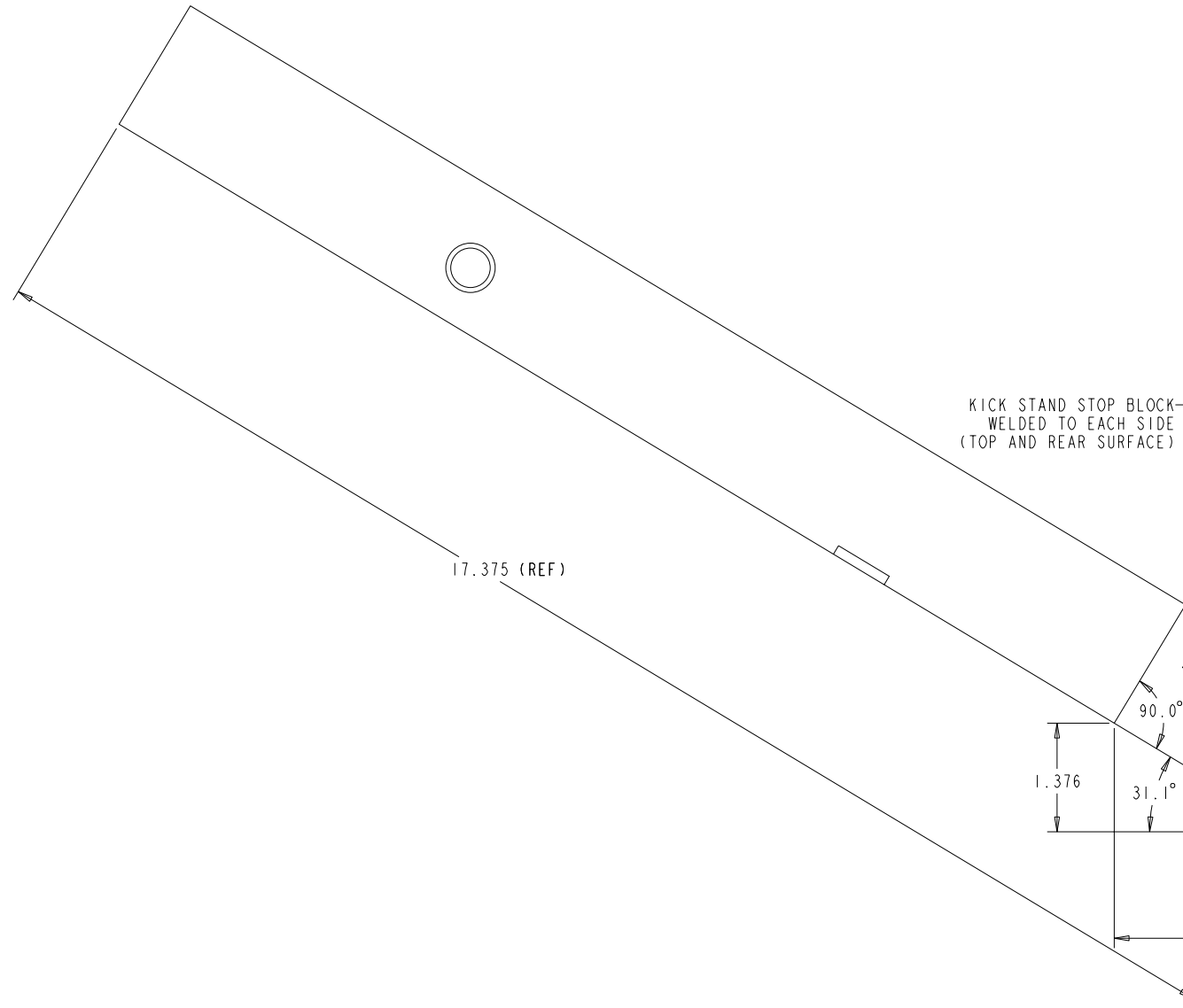
REAR FRAME

MATERIAL: 1 3/4" SQUARE STEEL TUBE 0.062 WALL
 0.125" OR 0.0937" STEEL PLATE
 0.250" STEEL PLATE

DIMENSIONS OF TOP BEARING PLATE

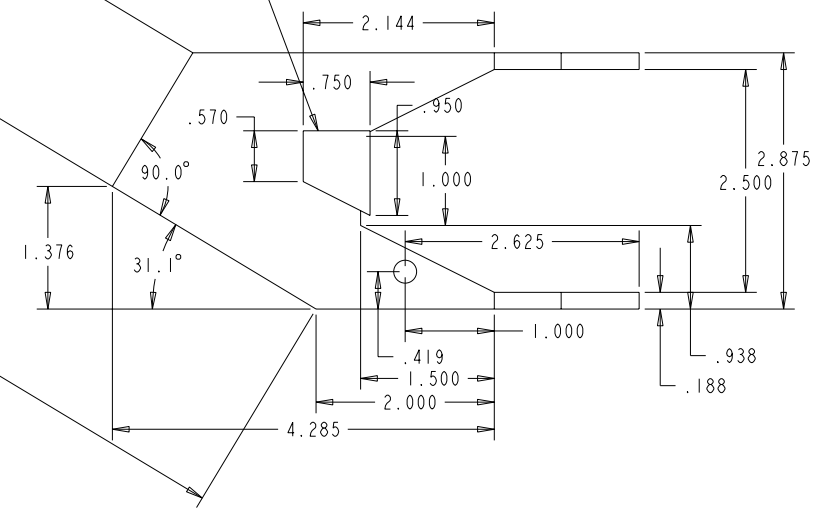


SCALE 1.000

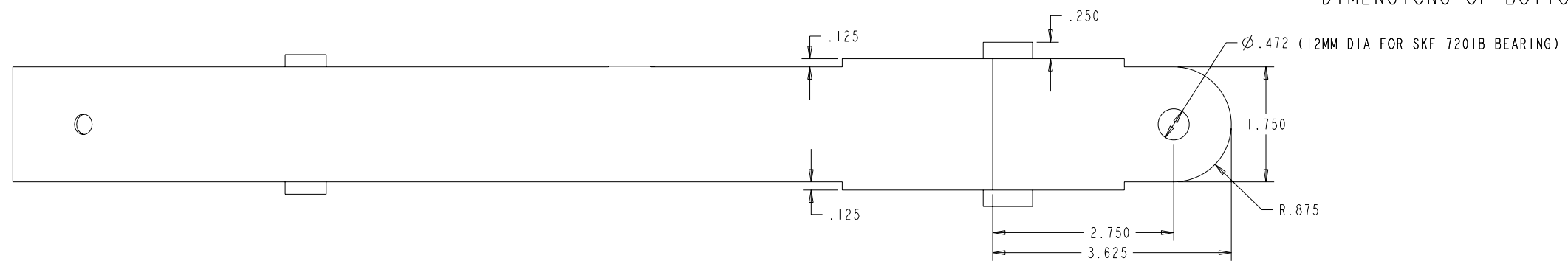


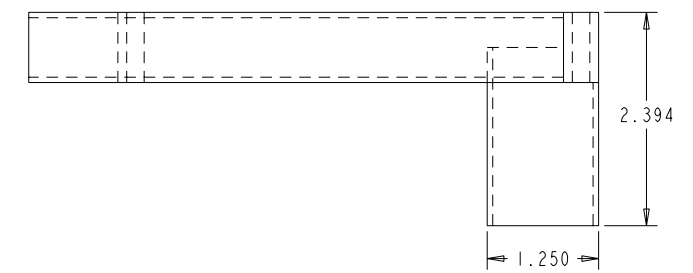
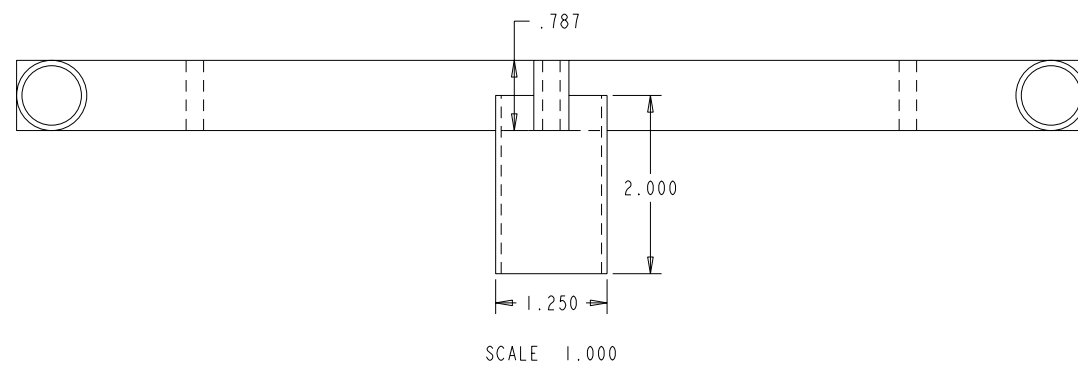
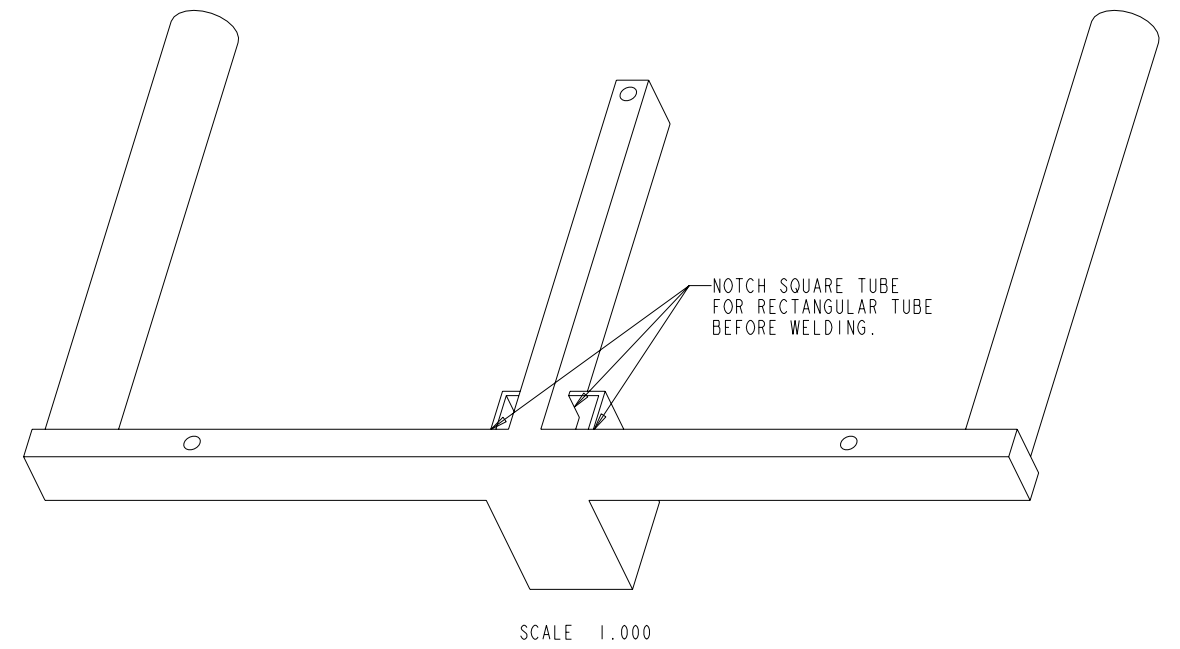
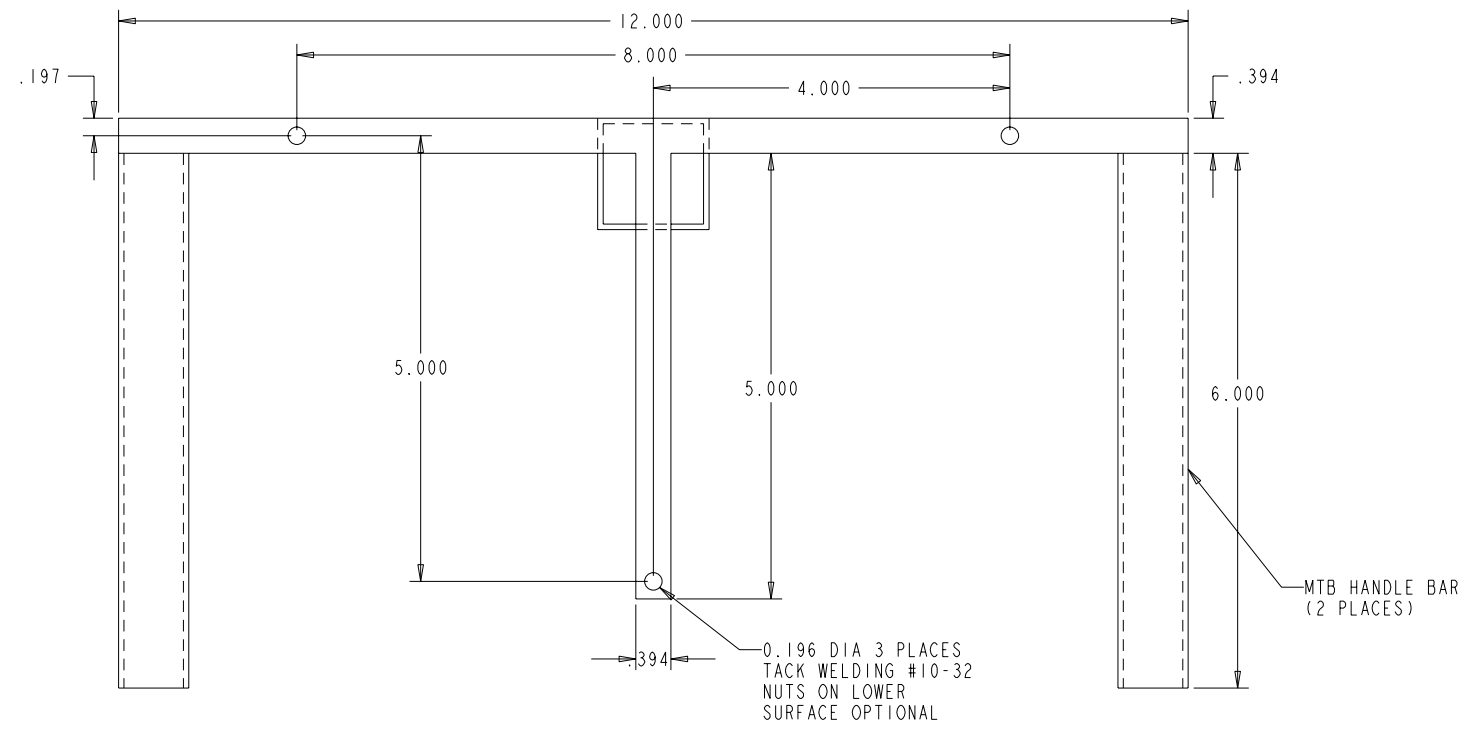
NOTE: SIDE PLATES WELDED TO SIDE OF MAIN TUBE AS SHOWN. TOP AND BOTTOM BEARING PLATES THEN JIG WELDED IN BETWEEN MAINTAINING 2.500 SEPERATION FOR BEARING HOUSING AND ALIGNMENT OF 12MM BEARING HOLE.

DIMENSIONS OF SIDE PLATES (2 REQUIRED)



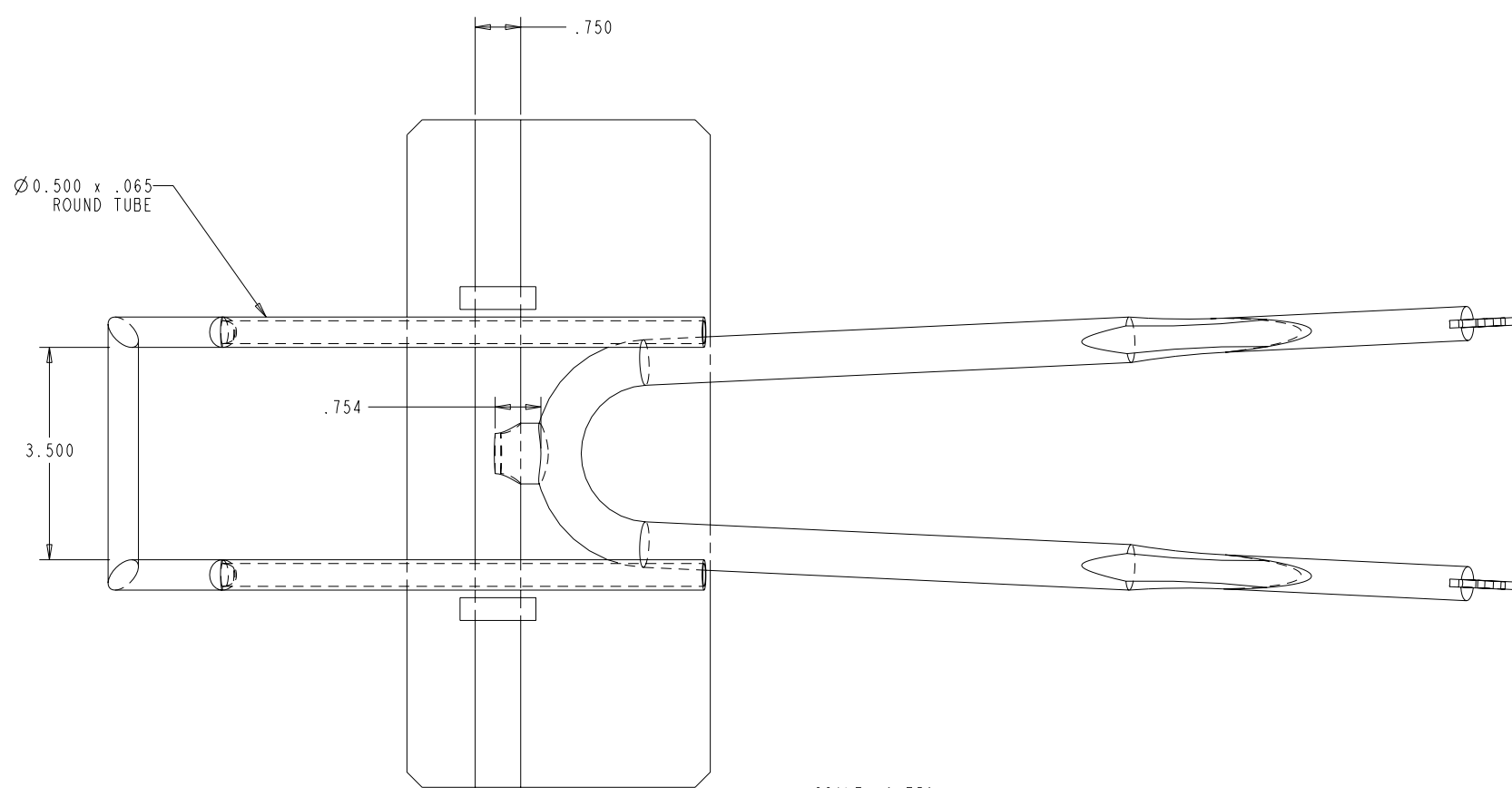
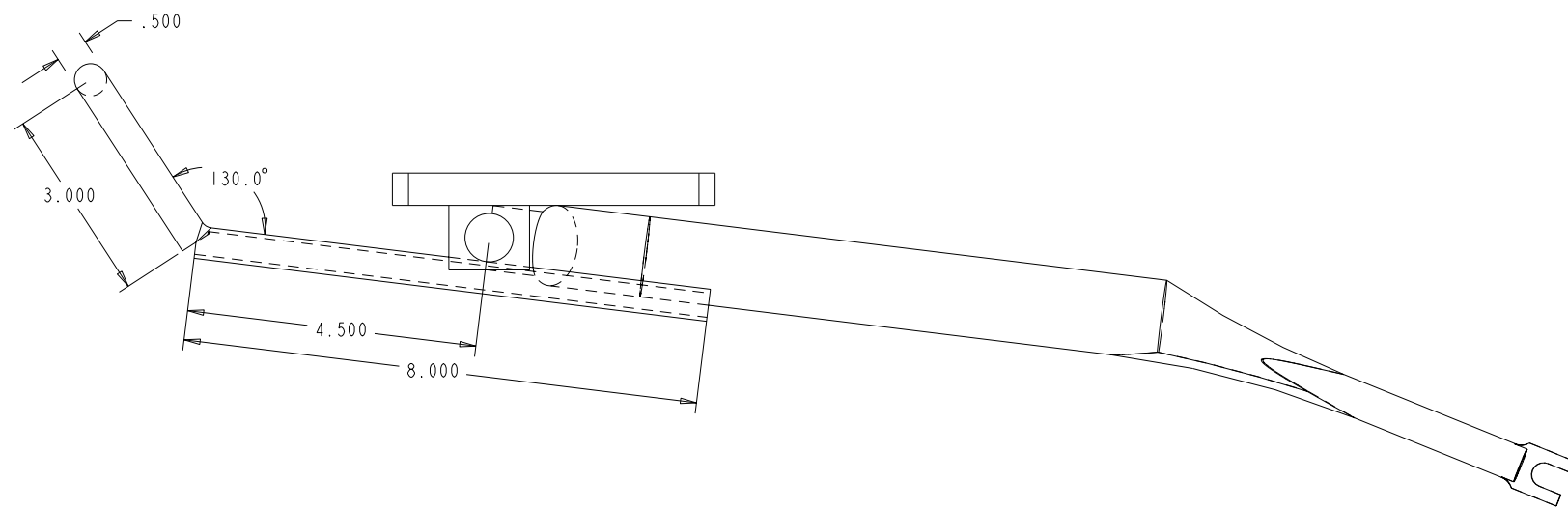
DIMENSIONS OF BOTTOM BEARING PLATE



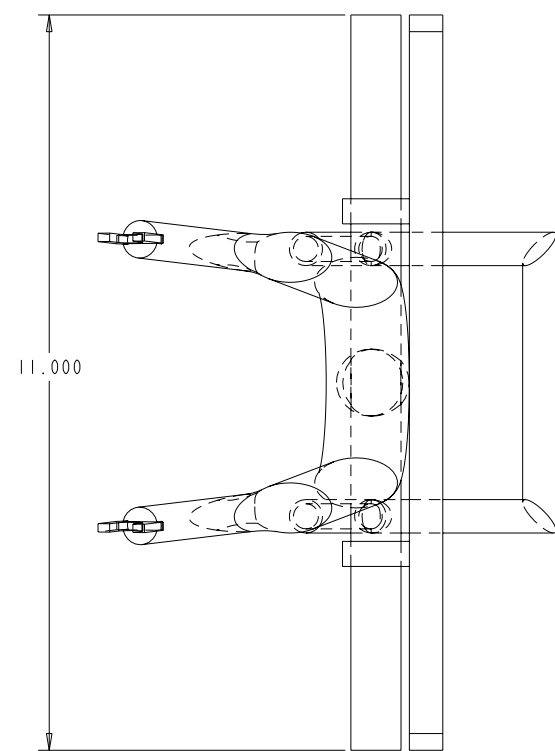
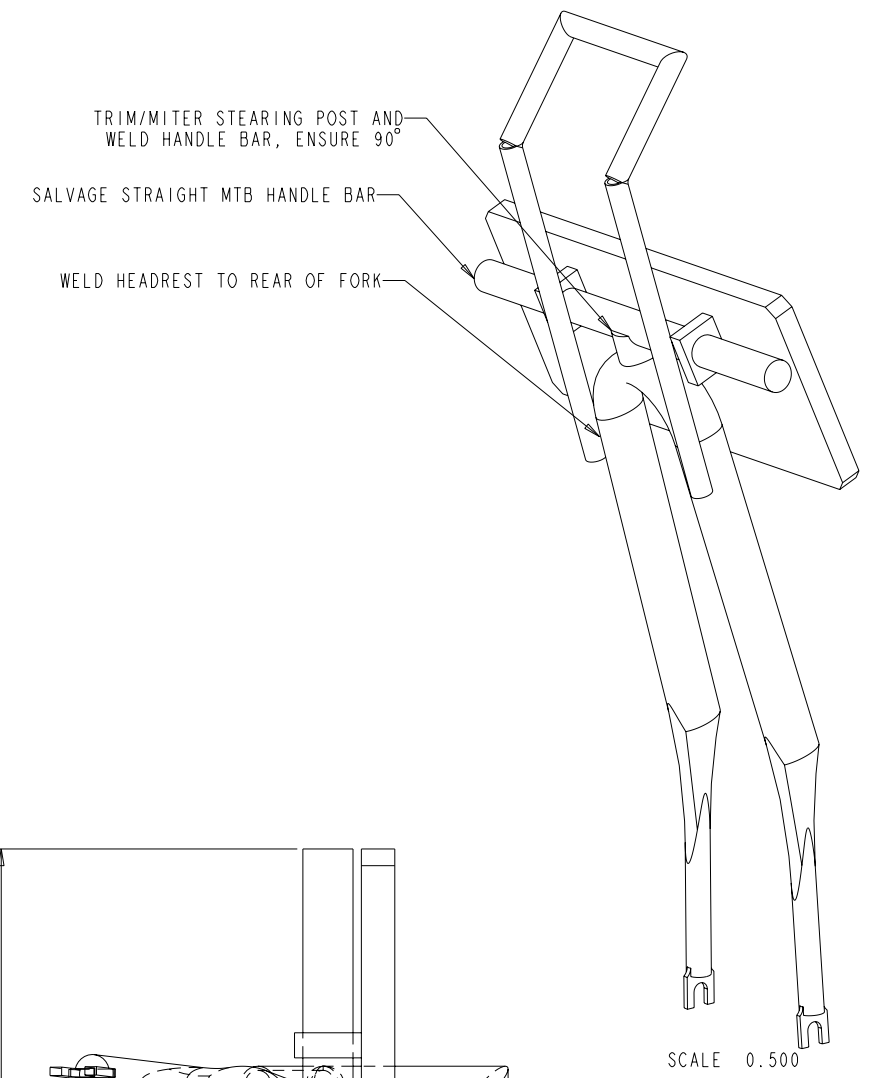


SEAT BASE ASSEMBLY

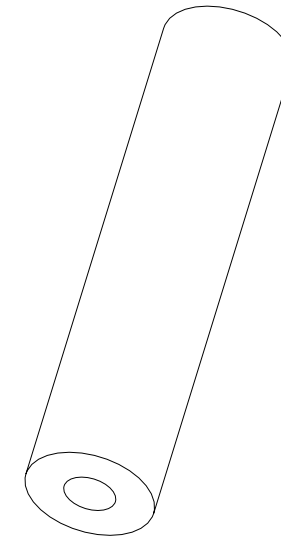
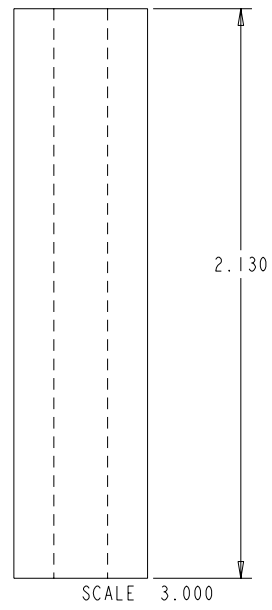
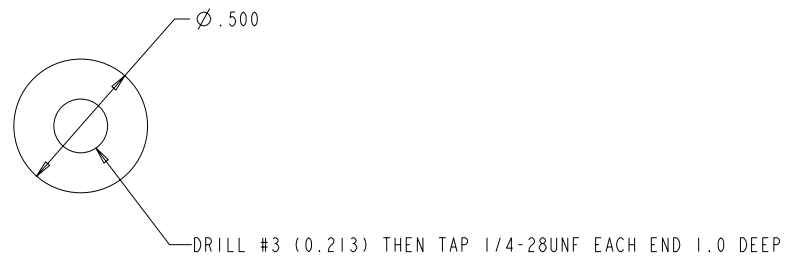
MATERIAL: 20 X 10 X 1.5MM RECTANGULAR STEEL TUBE
 1 1/4 X 1 1/4 X .062 SQUARE STEEL TUBE
 MTB HANDLE BAR OR 3/4 X .062 ROUND TUBE



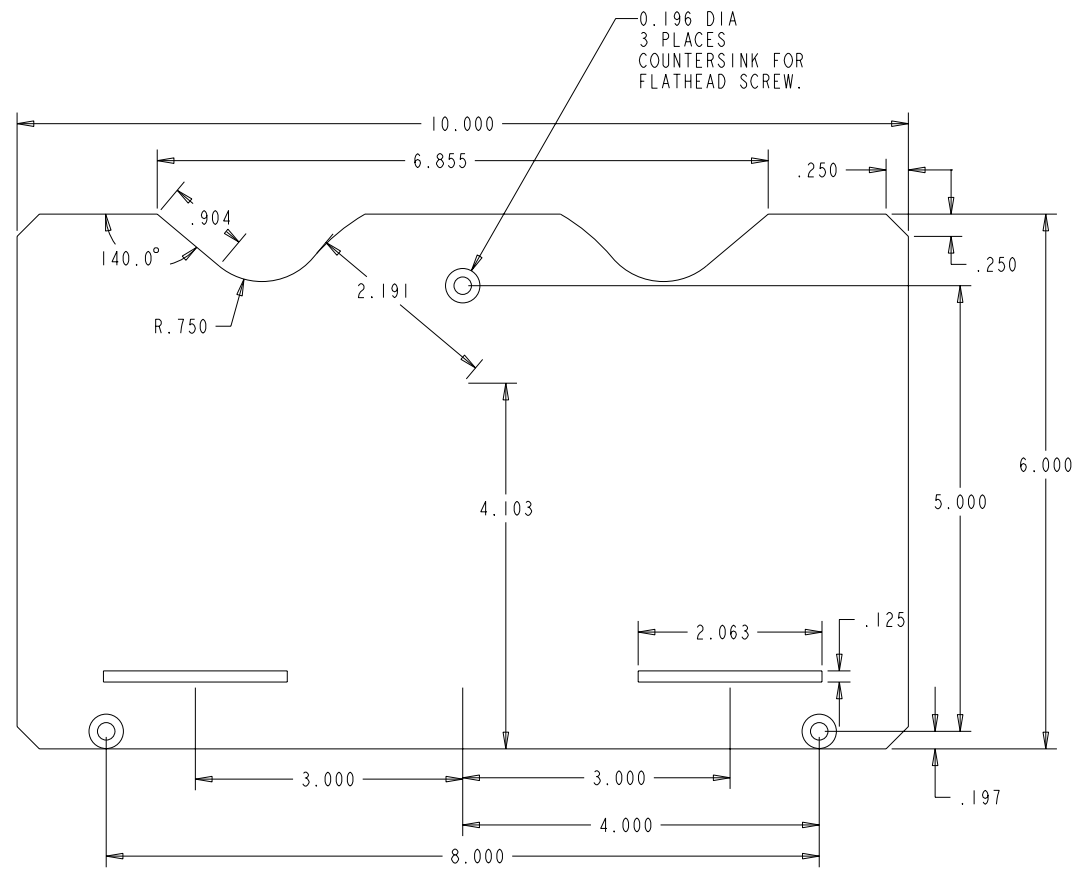
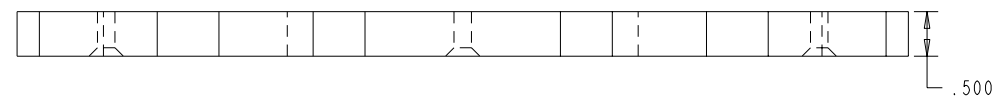
SCALE 0.750



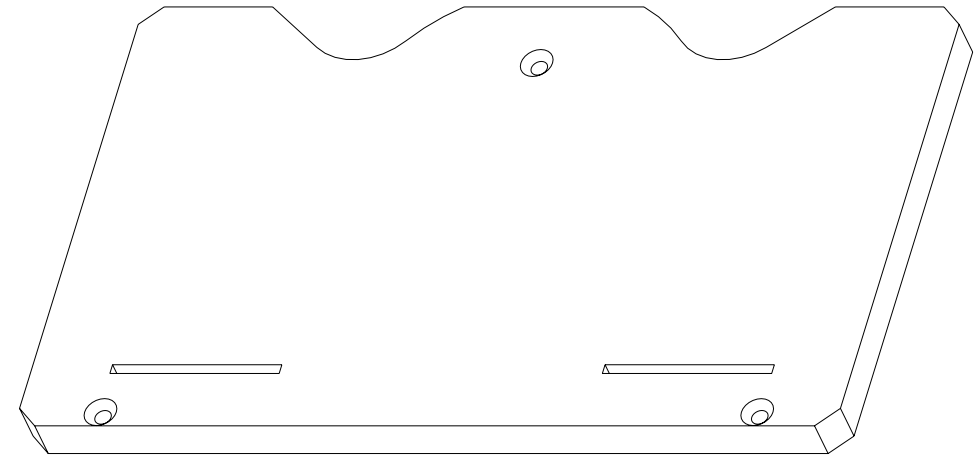
SEAT BACK ASSEMBLY
 MATERIAL: SALVAGED FORK, 11" MTB HANDLE BAR, SEAT BACK, 0.500 X 0.062 WALL TUBING



SUSPENSION PIVOT PIN
MATERIAL: BRASS, 0.500 BAR



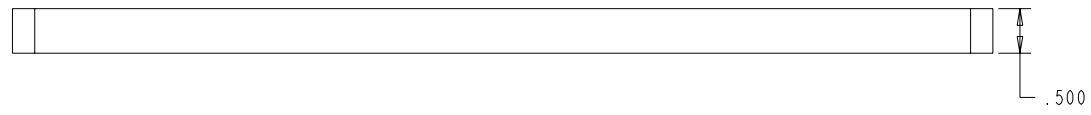
SCALE 1.000



SCALE 1.000

LOWER SEAT

MATERIAL: 1/2" BALTIC BIRCH PLYWOOD

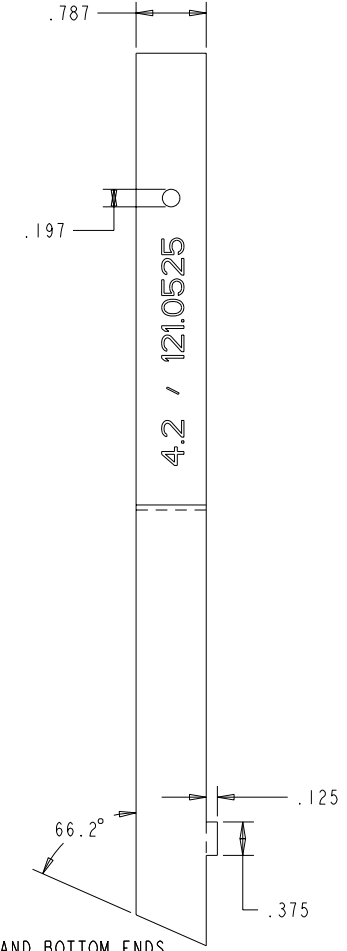
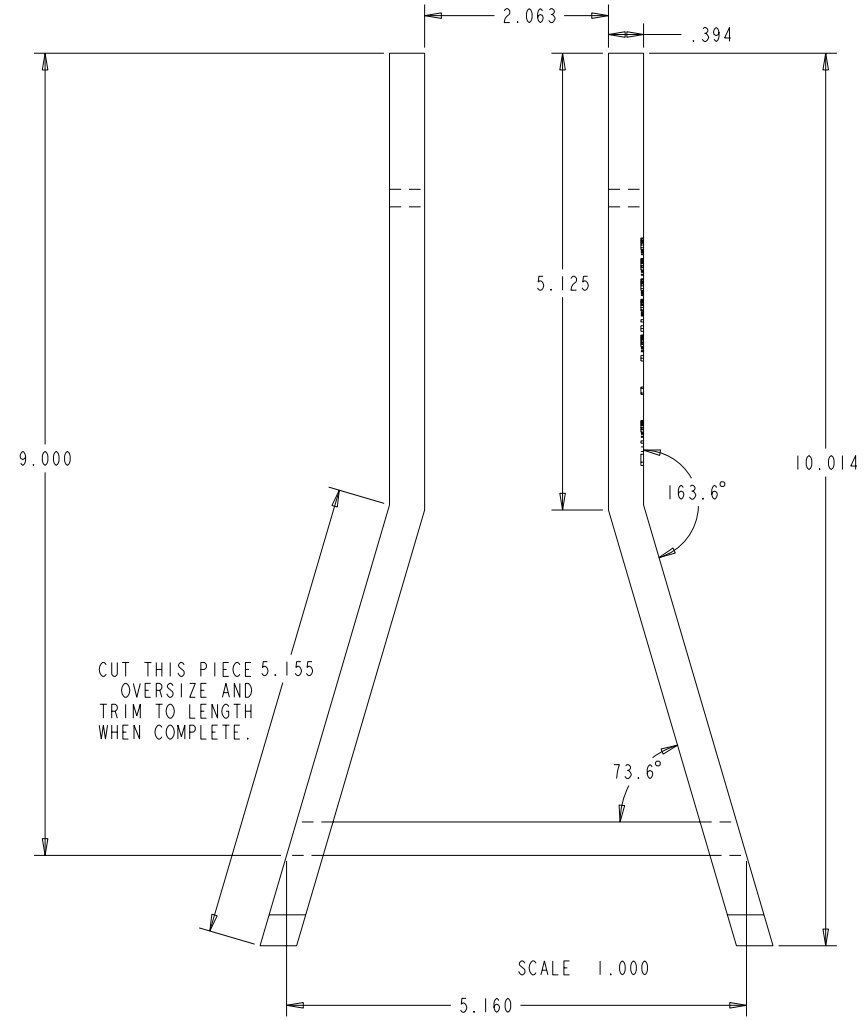


SCALE 1.000



SCALE 1.000

UPPER SEAT (BACK)
MATERIAL: 1/2" BALTIC BIRCH PLYWOOD



NOTE: THE STAND BOTTOM ENDS
ARE CUT AT A COMPOUND ANGLE
(66.2° & 73.6°).

STAND

MATERIAL: 3/4" X 3/8" X 0.062 RECTANGULAR TUBE